

Braided Sleeve for Wiring harness

TW03 Self-wrapping Woven Sleeve

Introduction

Woven from polyester monofilament and multifilament with white tracer thread. It has good wear resistance, fire resistance and heat dissipation, which is used to provide anti-wear protection and noise suppression; The open structure is convenient for the maintenance, modification and overhaul of the covering. Ideal for the protection of wiring harness and pipeline system of traditional vehicles and new energy vehicles.

Features

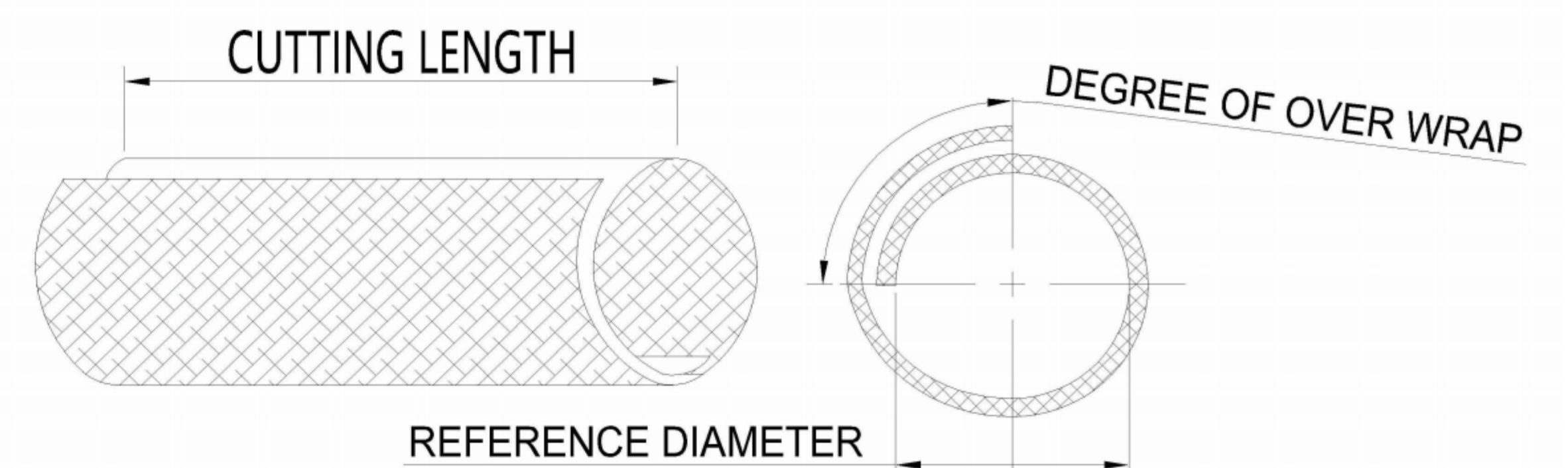
- Operating temperature: -50~150 °C
- Flammability: FMVSS302
- Halogen-free and Environmentally friendly, RoHS compliant
- Standard color: Black
- Smooth laser or hot knife cutting

Dimensions

Part No.	Inner diameter (mm)	Maximum outer diameter of wrapping (mm)	Overlap Rate (%)
TW03-5	3~6	6	20%~60%
TW03-8	6~9	9	20%~60%
TW03-10	8~11	11	20%~60%
TW03-13	11~14	14	20%~60%
TW03-16	14~17	17	20%~60%
TW03-19	17~20	20	20%~60%
TW03-25	20~26	26	20%~60%
TW03-32	27~33	33	20%~60%
TW03-38	33~40	40	20%~60%
TW03-50	40~52	52	20%~60%

Note:

1. The inner diameter refers to the circular diameter of the casing
2. Special packaging, special color, can be customized
3. For the detailed parameters of the product, please refer to the product specification.



Technical Data

Property	Test method	Requirement
Melting point	ASTM D276	240°C ~ 265°C
Thickness change rate	Take a sample with a length of 300mm and place it in an oven at 120°C for 24h. After taking it out, measure 5 points at approximately the same interval for thickness measurement (Measured separately before and after the experiment). Change rate = (thickness before experiment - thickness after experiment) / thickness before experiment, take the absolute value.	10% min.
Longitudinal change rate	Take a test piece with a length of 100mm, place the sample in an oven at 120°C for 24h, and then take it out for length measurement (Measured separately before and after the experiment). Change rate = (length before experiment - length after experiment) / length before experiment, taking the absolute value.	10% min.
Abrasion resistance	Apply a weight of 450g to the sample, use 150G gauze wear-resistant belt (10mm wide conductive part, maximum 150mm interval), run at a speed of 1500mm/min, when the sample wears through, (the wire part is in contact with the gauze support pin), record the length of the gauze wear-resistant belt.	>1000mm
Flammability	FMVSS302	100mm/min max.