

Braided Sleeve for Wiring harness

TT26 Self-wrapping Woven Sleeve

Introduction

This product is twill a self-closing product (wrap-around sleeve), It is woven from polyester monofilament and multifilament, which has good wear resistance, fire resistance and heat dissipation, and is used to provide anti-wear protection and noise suppression; the open structure is convenient for the maintenance, maintenance, modification and overhaul of the covering.

Features

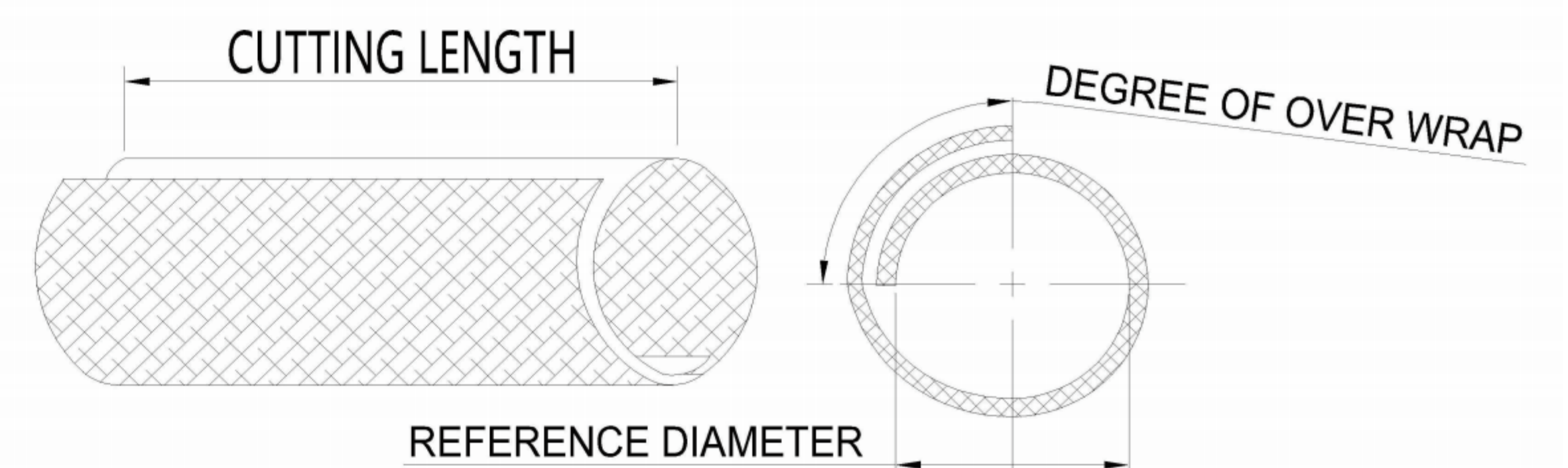
- Operating temperature: -50~150 °C
- Flammability: FMVSS302
- Environmentally friendly, RoHS compliant
- Standard color: Black, Orange
- Smooth laser cutting

Dimensions

Part No.	Inner diameter (mm)	Maximum outer diameter of wrapping (mm)	Overlap Rate (%)
TT26-5	3~6	6	20%~60%
TT26-8	6~9	9	20%~60%
TT26-10	8~11	11	20%~60%
TT26-13	11~14	14	20%~60%
TT26-16	14~17	17	20%~60%
TT26-19	17~20	20	20%~60%
TT26-25	20~26	26	20%~60%
TT26-32	27~33	33	20%~60%
TT26-38	33~40	40	20%~60%
TT26-50	40~52	52	20%~60%

Note:

1. The inner diameter refers to the circular diameter of the casing
2. Special packaging, special color, can be customized
3. For the detailed parameters of the product, please refer to the product specification.



Technical Data

Property	Test method	Requirement
Melting point	ASTM D276	240°C ~ 265°C
Thickness change rate	Take a sample with a length of 300mm and place it in an oven at 120°C for 24h. After taking it out, measure 5 points at approximately the same interval for thickness measurement (Measured separately before and after the experiment). Change rate = (thickness before experiment - thickness after experiment) / thickness before experiment, take the absolute value.	10% min.
Longitudinal change rate	Take a test piece with a length of 100mm, place the sample in an oven at 120°C for 24h, and then take it out for length measurement (Measured separately before and after the experiment). Change rate = (length before experiment - length after experiment) / length before experiment, taking the absolute value.	10% min.
Abrasion resistance	ISO 6722	5000 cycles min.
Flammability	FMVSS302	100mm/min max.